
A2

2019.03

- \$ <

..... 1

..... 2

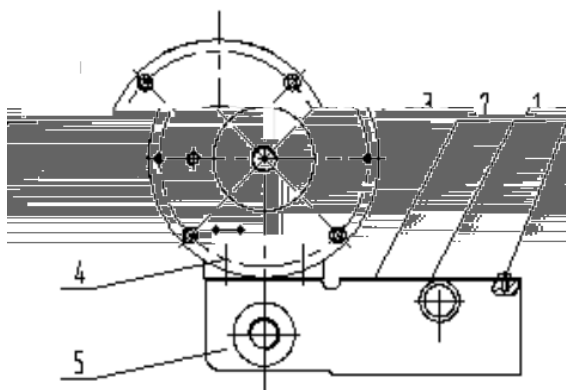
..... 3

..... 5

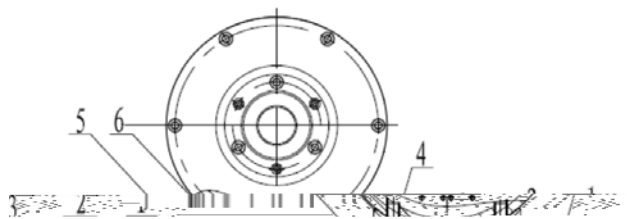
..... 6

..... 8

	1.1	1	4		2		3
							4 4
			5				
2							
	1.2	1	4		2		3
							4 4
			5				
					6	4	
			5				

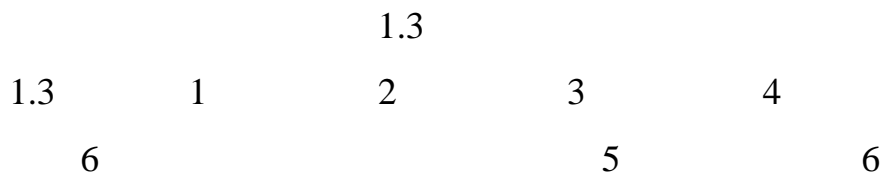
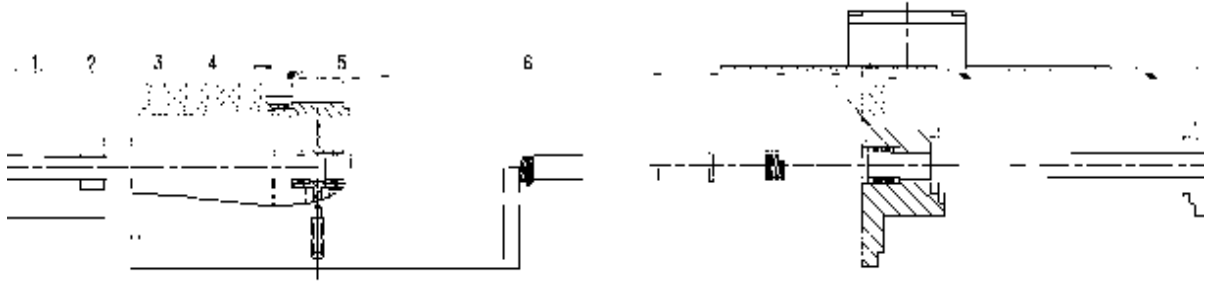


1.1



1.2

3



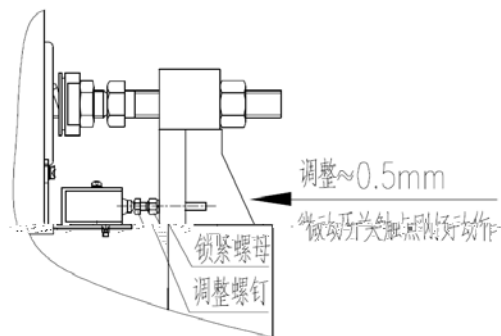
4

1

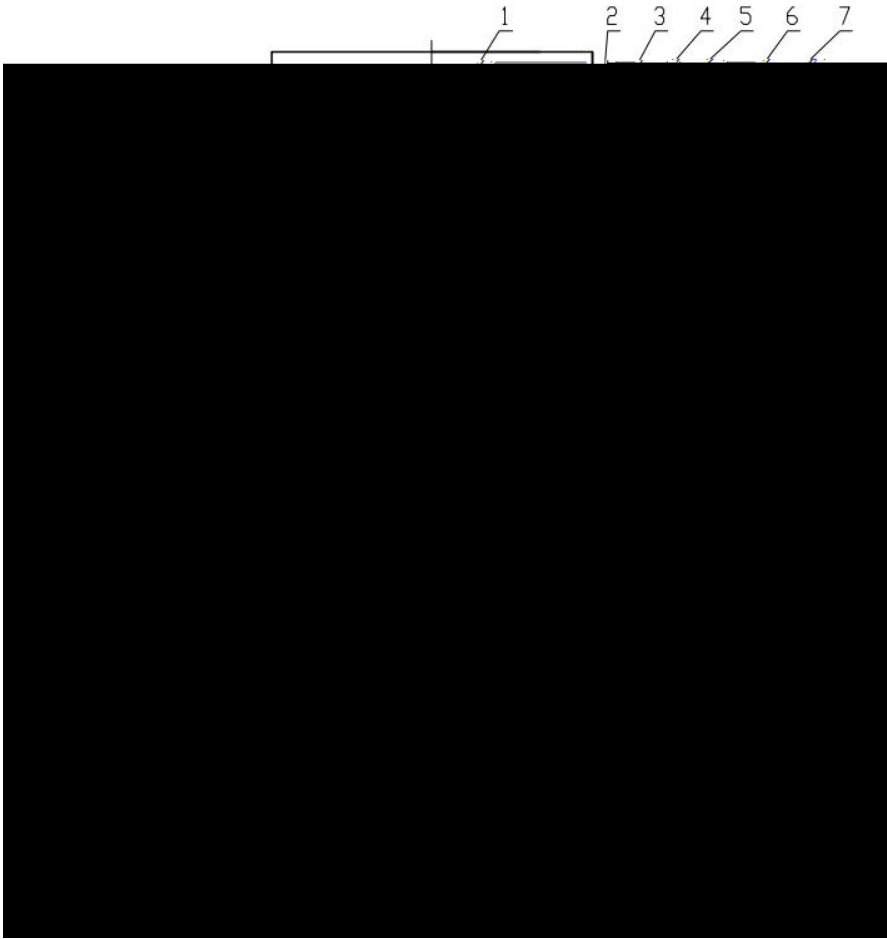
2

1.4

0.5mm



1.4



1

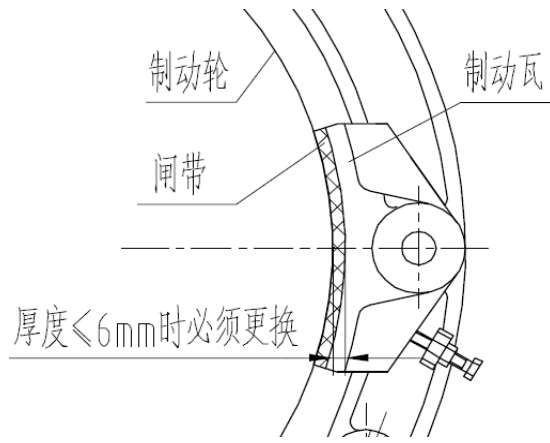
2

3

4

6mm

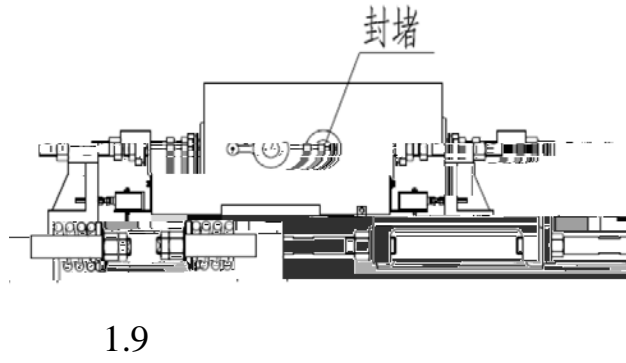
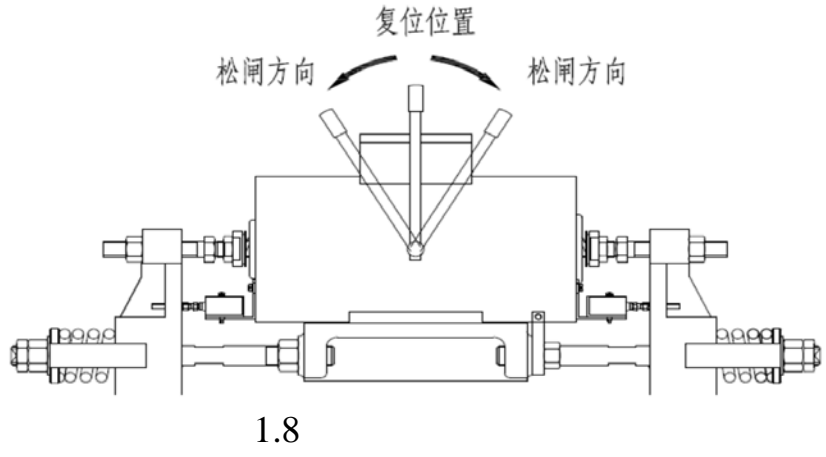
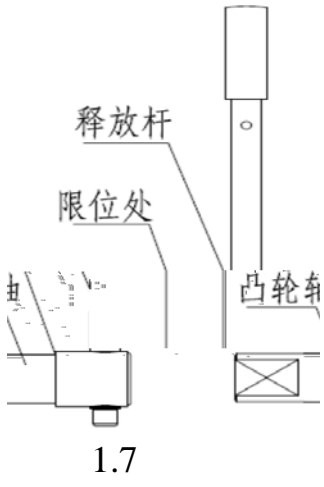
1.6



1.6

1

1.7



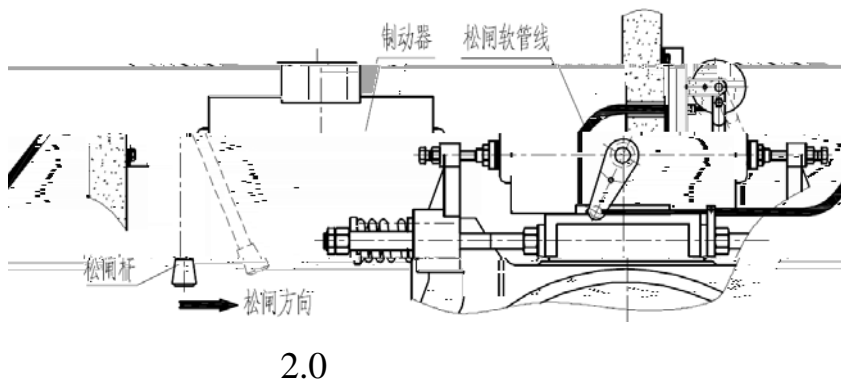
2

2.0

1

2

250mm



1

2

3

4

1.9

5

6

7